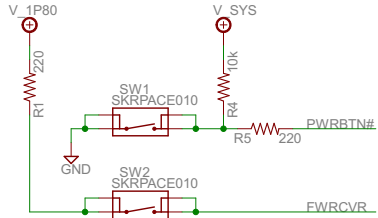
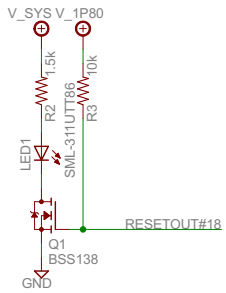


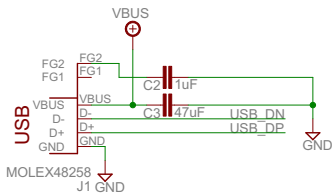
TACTILE SW



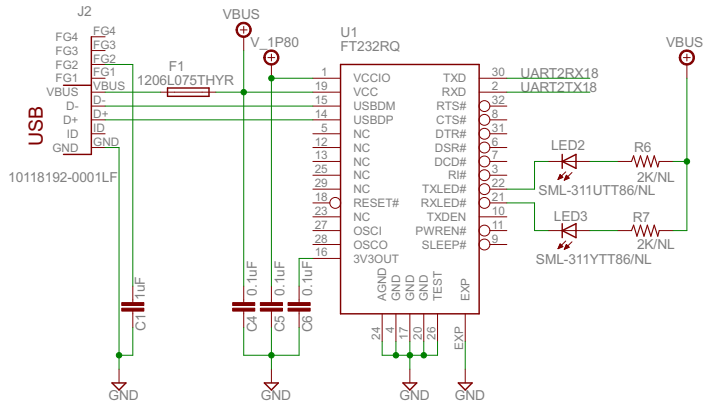
POWER LED



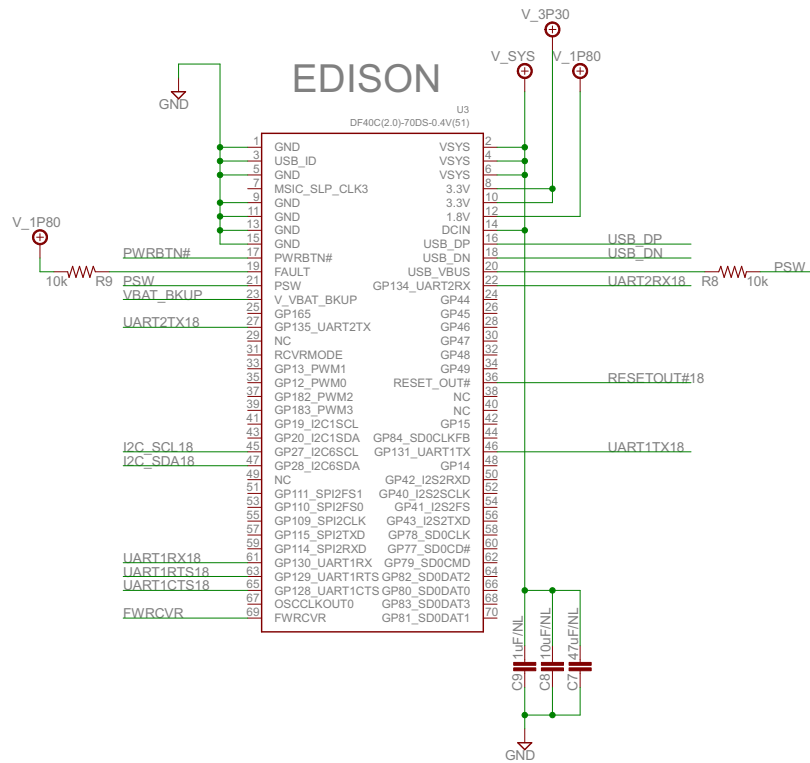
USB HOST



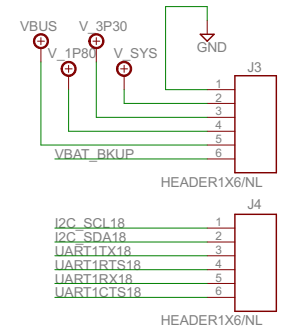
USB Micro-B for FTDI and Power-In



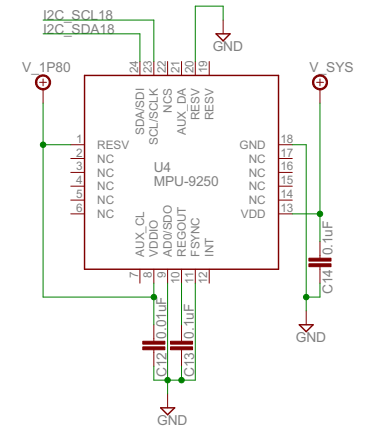
EDISON



EXT CON



ACC SENSOR



V_SYS 3.3V Reg

